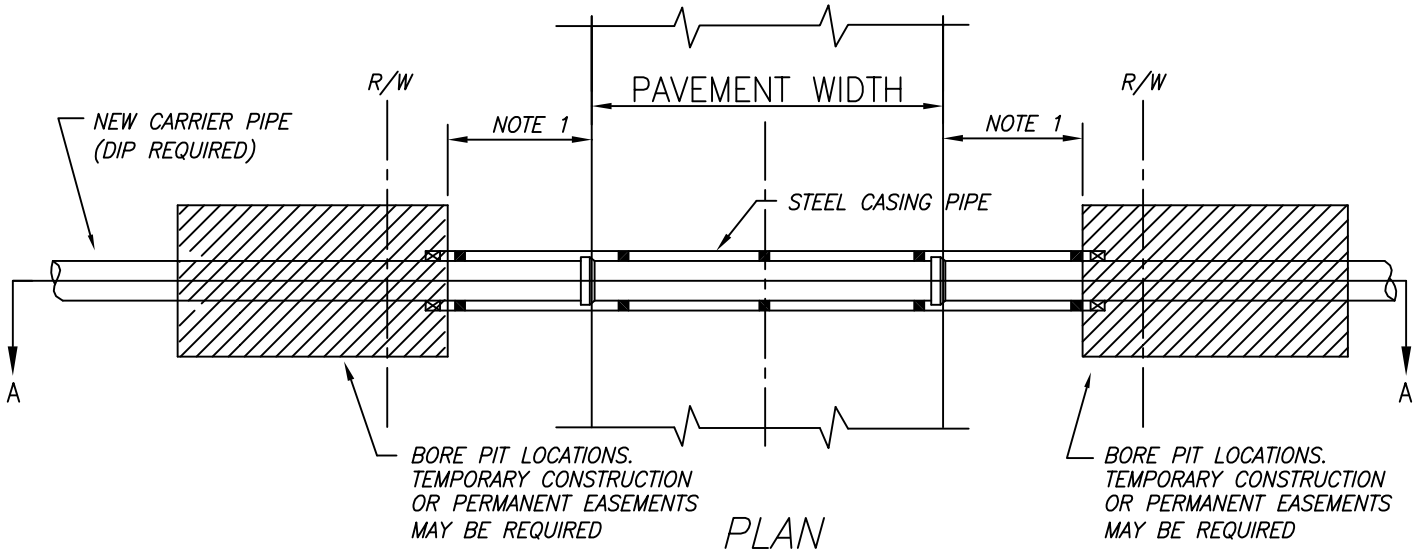
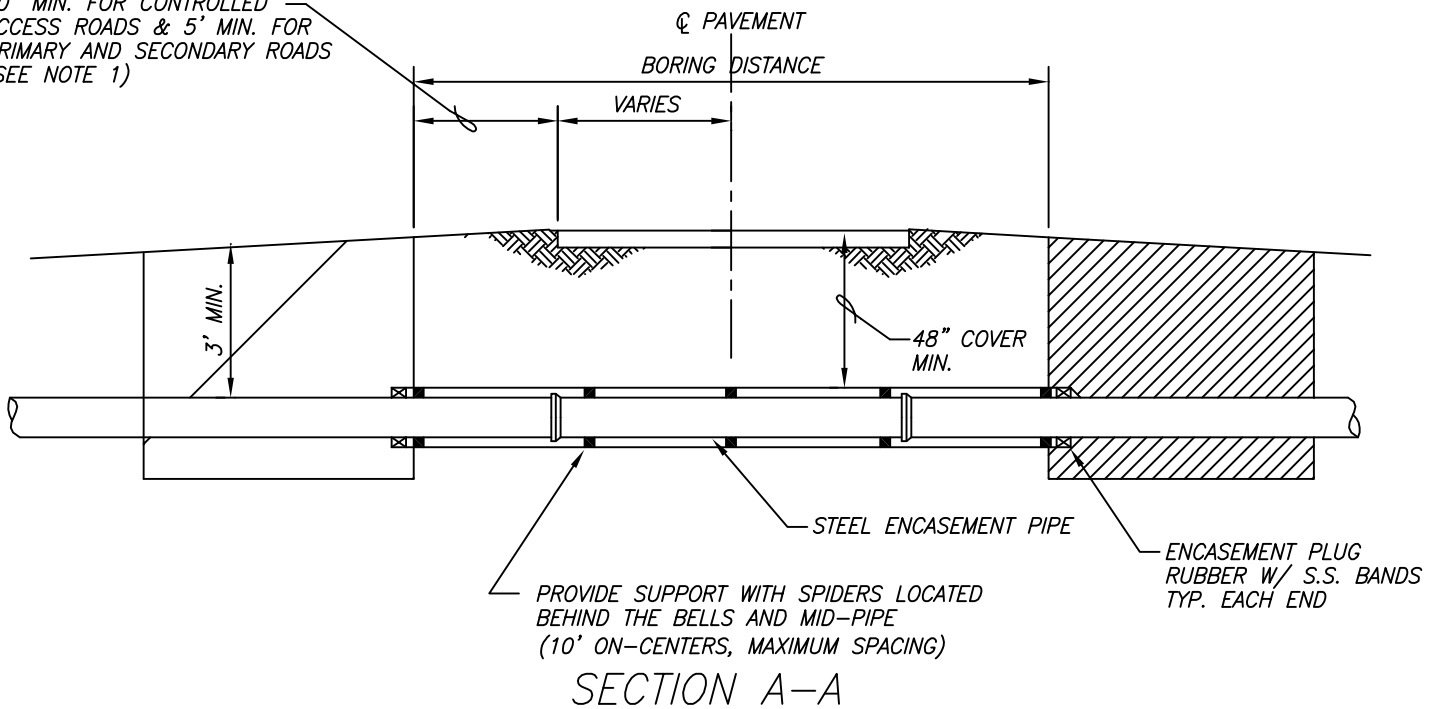


CONSTRUCTION DETAIL NO. 20



30" MIN. FOR CONTROLLED ACCESS ROADS & 5' MIN. FOR PRIMARY AND SECONDARY ROADS (SEE NOTE 1)



NOTES:

1. THE NEAR EDGE OF THE PIT CAN BE NO CLOSER TO THE EDGE OF THE TRAVELWAY THAN ITS DEPTH BELOW THE SURFACE OF THE TRAVELWAY UNLESS BULKHEADED.
2. ALL PIPE WITHIN AND TO 5' OUTSIDE THE CASING TO BE D.I.P.
3. ALL PIPING IN CASING SHALL UTILIZE LOCKING GASKETS SUPPLIED BY THE PIPE MANUFACTURER.



CASING PIPE
BORE AND JACK
DETAIL

SCALE: NONE

REVISION DATE: APRIL 13, 2009