


NOTES

1. ALL LUMBER AND POSTS TO BE MIN. NO. 1 PRESSURE TREATED S.Y.P., CEDAR, REDWOOD, OR BETTER. Fb = 1050/1210 PSI, E = 1,600,000 PSI, Fv = 90 PSI.
2. ALL LUMBER AND TIMBER TO BE PRESSURE TREATED IN ACCORDANCE WITH AWPA C2-81 WITH CCA TO A RETENTION OF 0.25 PCF. CREOSOTE, ARSENIC OR PENTA TREATED WOOD IS PROHIBITED.
3. ALL HARDWARE INCLUDING NAILS, SCREWS, BOLTS, NUTS, WASHERS, ETC. TO BE STAINLESS STEEL OR G-90 HOT-DIPPED GALVANIZED PER ASTM A 153.
4. EXCEPT FOR GALVANIZED FINISHED SURFACES OF ALL STEEL COMPONENTS TO BE PREPARED ACCORDING TO SSPC-SP3 "POWER TOOL CLEANING". APPLY SHOP PRIMER TO UNCOATED SURFACES TO A DRY FILM THICKNESS OF 3.0 MILS MINIMUM.

1 Dock Plan
do not scale

2 Elevation
do not scale

do not scale

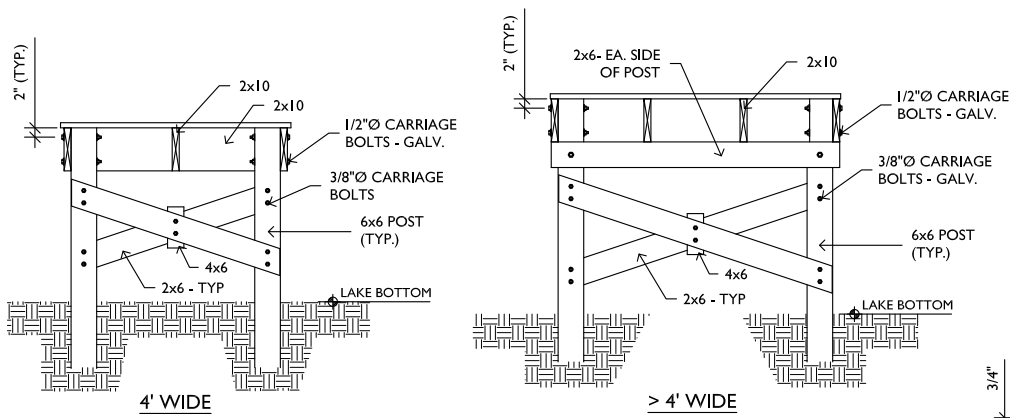


**Spartanburg
Water**

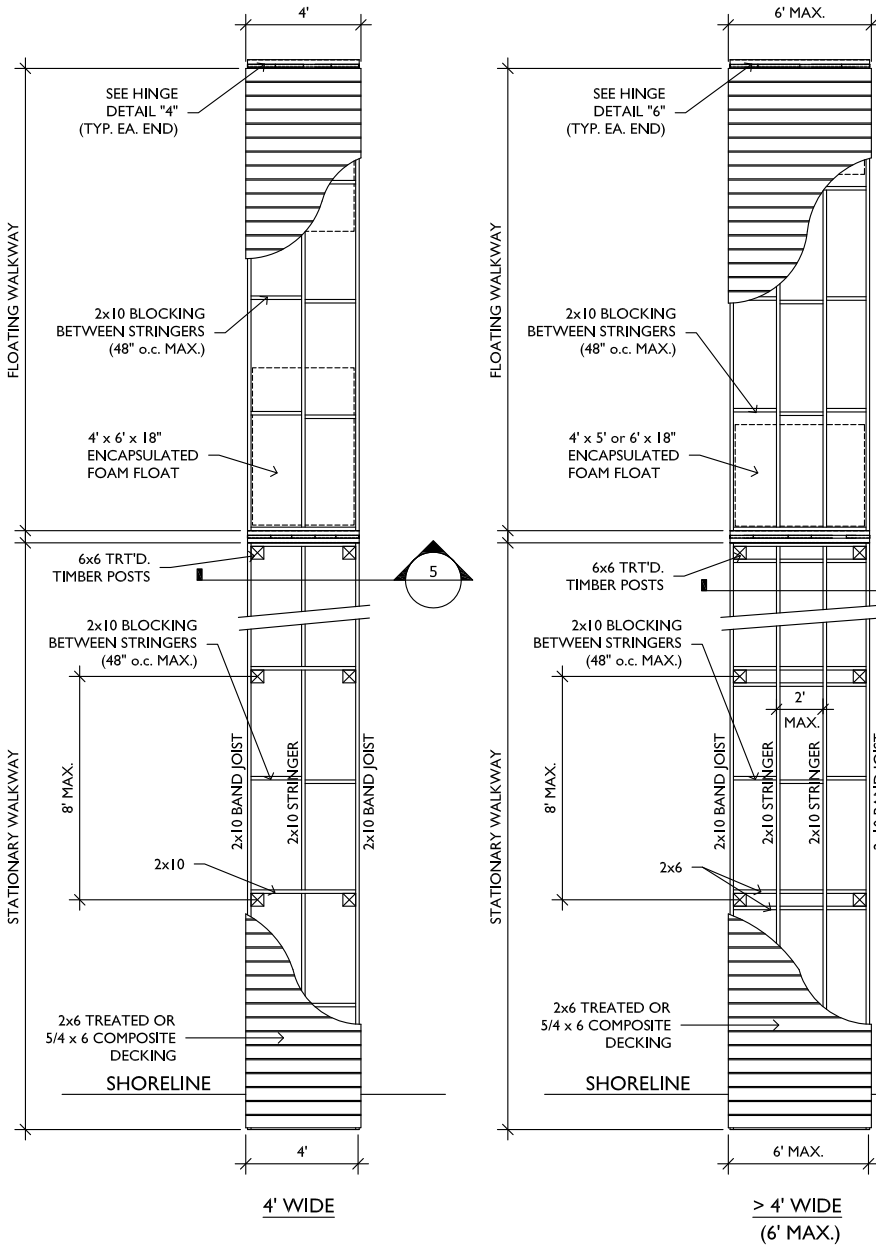
Dock/Walkway Standards Wood Construction

April 4, 2019

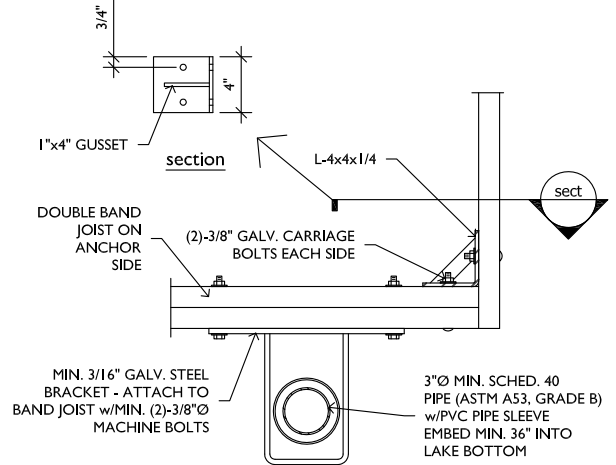
THIS DRAWING IS PROPERTY OF SPARTANBURG WATER AND IS NOT TO BE USED OR COPIED BY UNAUTHORIZED PARTIES



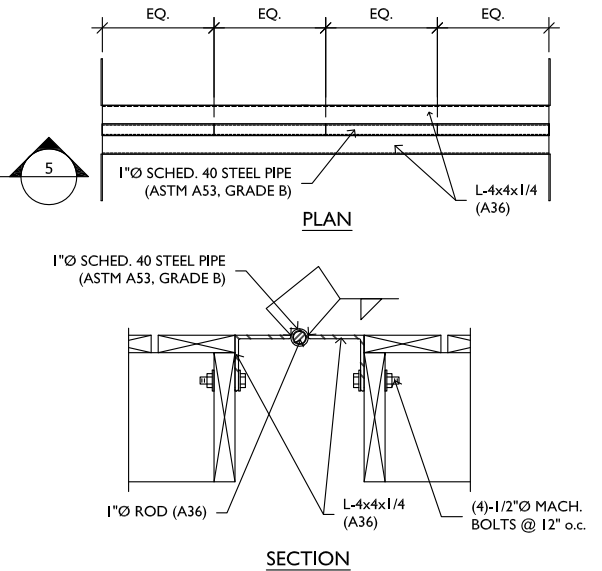
5 Detail - Walkway Bracing



3 Walkway Plan



4 Detail - Corner Stiffener & Storm Anchor



6 Detail - Hinge



Dock/Walkway Standards Wood Construction

April 4, 2019

THIS DRAWING IS PROPERTY OF SPARTANBURG WATER AND IS NOT TO BE USED OR COPIED BY UNAUTHORIZED PARTIES