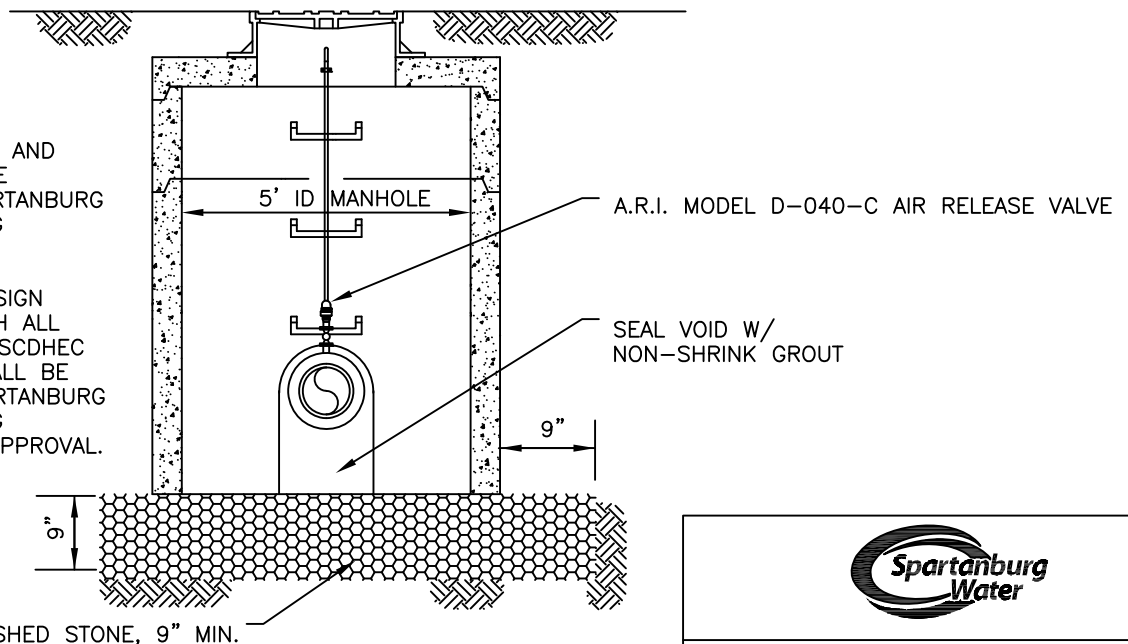


- NOTE**
- 1- AIR RELEASE VALVE AND PIPING SIZES TO BE APPROVED BY SPARTANBURG WATER ENGINEERING DEPARTMENT.
 - 2- ANY ALTERNATE DESIGN SHALL COMPLY WITH ALL REQUIREMENTS OF SCDHEC R. 61-58 AND SHALL BE SUBMITTED TO SPARTANBURG WATER ENGINEERING DEPARTMENT FOR APPROVAL.



THE INTENT OF THIS DETAIL IS TO CLARIFY AND NOT SUPERSEDE OR MODIFY THE SPECIFIC REQUIREMENTS AS LISTED IN THE SPECIFICATIONS



WATER MAIN
AIR RELEASE VALVE
AND MANHOLE

SCALE: NTS REVISION DATE: 11/07/2016