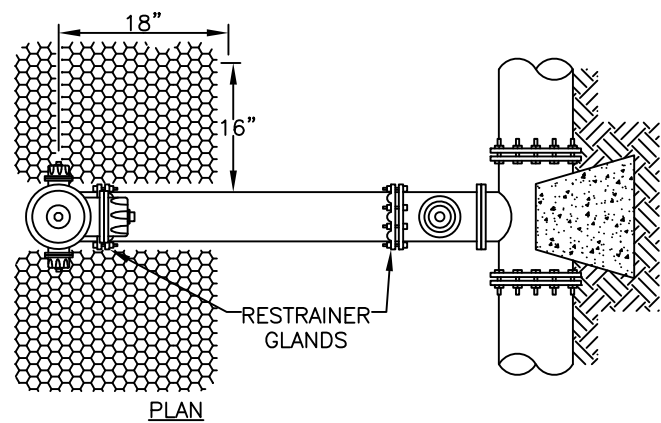


PLACE GRAVEL TO 6" ABOVE WEEP HOLES, 18" BELOW WEEP HOLES AND 18" TOWARDS THE MAIN. ALSO 16" Laterally ON EACH SIDE.



NOTE
 1- RODS AND BLOCKING MAY BE USED IN LIEU OF APPROVED RESTRAINER GLANDS. SEE STANDARD SPECIFICATIONS FOR ROD AND BLOCKING INFORMATION.

THE INTENT OF THIS DETAIL IS TO CLARIFY AND NOT SUPERSEDE OR MODIFY THE SPECIFIC REQUIREMENTS AS LISTED IN THE SPECIFICATIONS

Spartanburg Water

*TYPICAL
 HYDRANT INSTALLATION
 (WITHOUT CURB)*

SCALE: NTS REVISION DATE: 11/07/2016