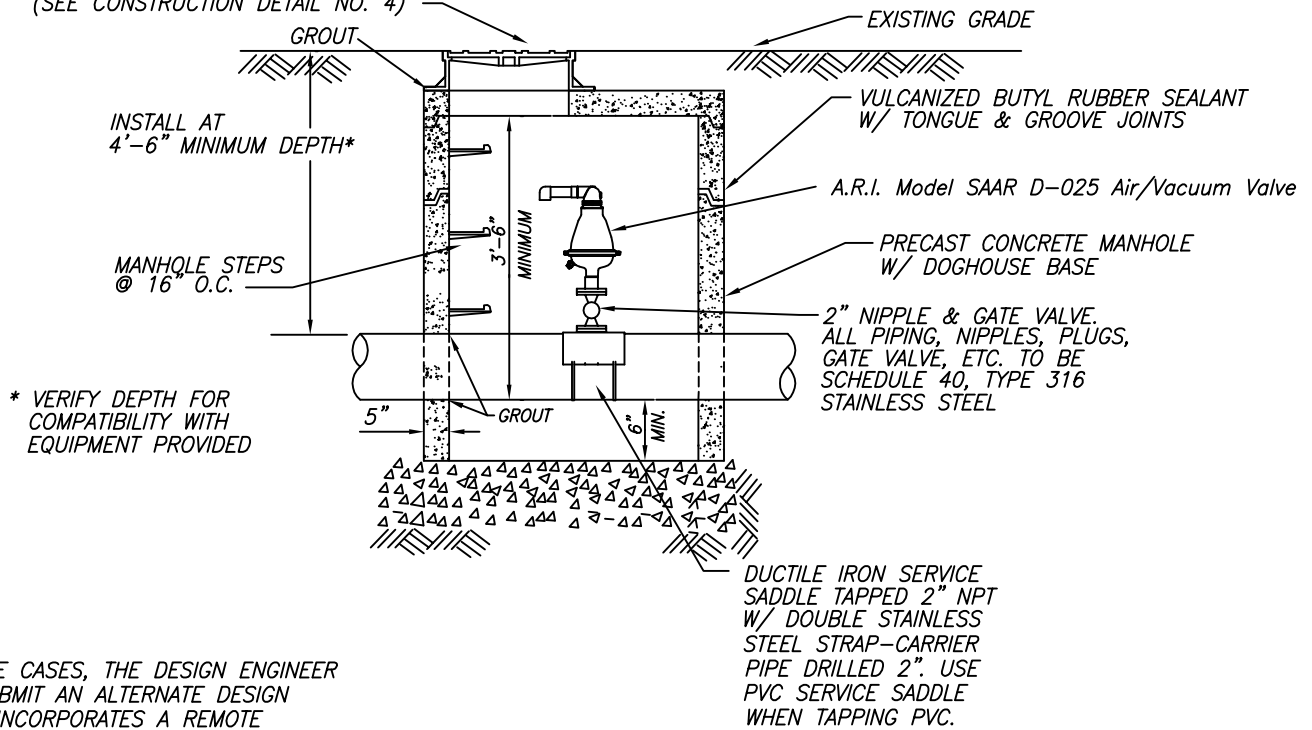


# CONSTRUCTION DETAIL NO. 14

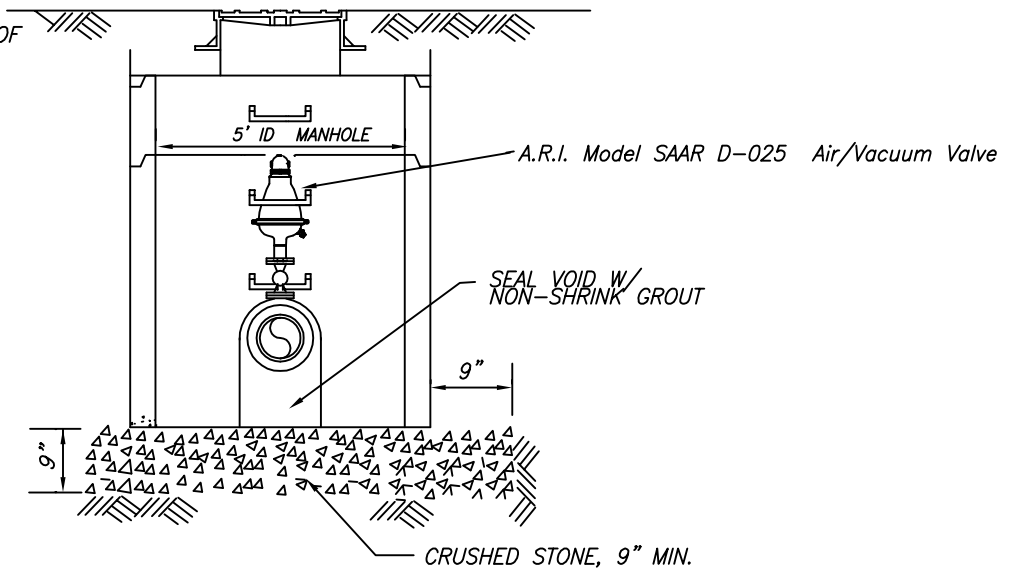
MANHOLE FRAME & COVER SHALL BE SSSD STANDARD (SEE CONSTRUCTION DETAIL NO. 4)



\* VERIFY DEPTH FOR COMPATIBILITY WITH EQUIPMENT PROVIDED

IN SOME CASES, THE DESIGN ENGINEER MAY SUBMIT AN ALTERNATE DESIGN WHICH INCORPORATES A REMOTE MOUNTED AIR/VACUUM VALVE WHICH IS CONNECTED TO THE FORCE MAIN BY AN APPROPRIATELY-SIZED PIPING ARRANGEMENT, COMPLETE WITH ISOLATION VALVES AND VAULT.

ANY ALTERNATE DESIGN SHALL COMPLY WITH ALL REQUIREMENTS OF SCDHEC R.61-67 AND SHALL BE SUBMITTED TO THE DISTRICT FOR APPROVAL.



SEWER FORCE MAIN  
AIR/VACUUM VALVE  
AND MANHOLE

SCALE: NONE REVISION DATE: APRIL 13, 2009