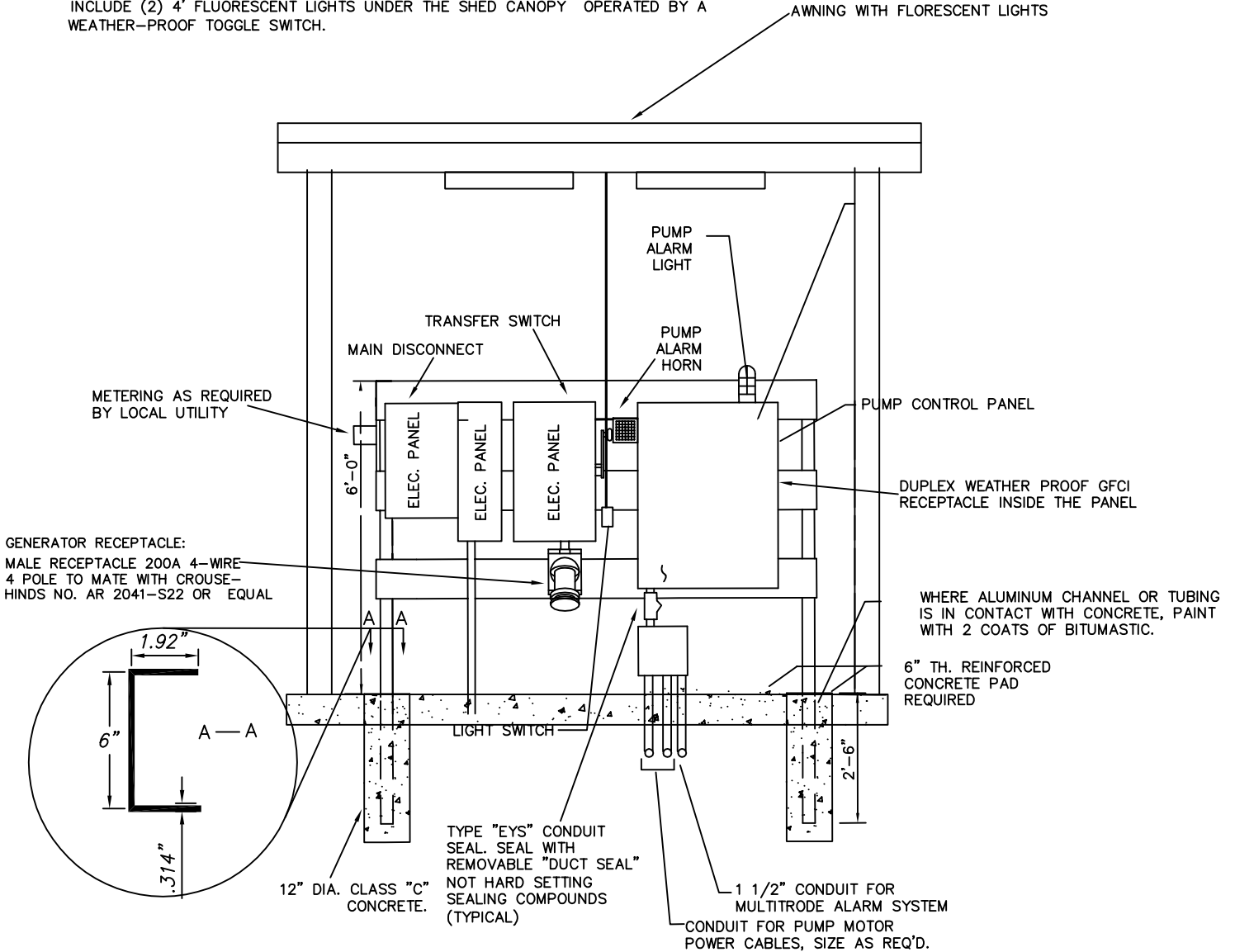


CONSTRUCTION DETAIL NO. 27

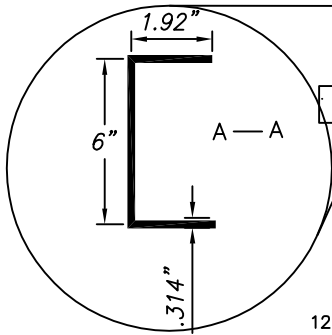
CONTROL CANOPY COVER SHALL BE BY GREER AWNING AND SIDING, 864-877-7722, OR APPROVED EQUAL. THE CANOPY SHALL HAVE A PITCHED ROOF WITH 6' x 14' OUTSIDE DIMENSIONS AND 8' CLEAR HEIGHT AND BE CONSTRUCTED OF THE FOLLOWING MATERIALS:

- 1) 4" x 4" SUPPORT POSTS (11 GAUGE STEEL TUBING WITH WELDED STEEL PLATES ANCHORED TO CONCRETE PADS WITH 3/4" x 5" STUD ANCHORS);
- 2) SUPPORT BEAMS (14 GAUGE STEEL TUBING WITH WELDED UPRIGHTS); 2" x 2"
- 3) 1-1/8" WIDE x 3-1/2" HIGH BOS RAFTERS (0.040 GAUGE ALUMINUM SHEET SPACED A MAXIMUM OF 2' ON CENTER);
- 4) AND 20 GAUGE STEP DOWN ALUMINUM SHEET ROOFING WITH 2" CORRUGATIONS & FASTENED TO RAFTERS WITH STAINLESS STEEL SCREWS. ALL STEEL MATERIALS SHALL BE PRIMED AND PAINTED WITH INDUSTRIAL GRADE ENAMEL PAINT.
- 5) ALL ALUMINUM MATERIALS SHALL HAVE INDUSTRIAL GRADE BAKED ENAMEL PAINT. CONTRACTOR SHALL SUBMIT COLOR CHARTS FOR OWNER SELECTION. CANOPY STRUCTURE SHALL BE DESIGNED FOR A MINIMUM 70 MPH WIND LOAD AND 25 LBS/SF INCLUDE (2) 4' FLUORESCENT LIGHTS UNDER THE SHED CANOPY OPERATED BY A WEATHER-PROOF TOGGLE SWITCH.

AWNING WITH FLORESCENT LIGHTS



GENERATOR RECEPTACLE:
MALE RECEPTACLE 200A 4-WIRE
4 POLE TO MATE WITH CROUSE-
HINDS NO. AR 2041-S22 OR EQUAL



CONTROL PANEL RACK TO BE FABRICATED FROM 6" STANDARD ALUMINUM CHANNEL (SEE CROSS-SECTION DIMENSION) WITH CROSSMEMBERS NOTCHED AND BOLTED TO UPRIGHTS WITH 316 STAINLESS STEEL FASTENERS. NUMBER AND SPACING OF CROSSMEMBERS SHALL BE AS NEEDED TO PROVIDE MOUNTING FOR ALL NECESSARY PANELS, DISCONNECTS AND OTHER HARDWARE. ENGINEER SHALL CONFIRM THAT RACK DESIGN, MOUNTING, AND CONCRETE FOUNDATION IS ADEQUATE FOR EXPECTED WIND LOADING AND WEIGHT OF COMPONENTS. AT ENGINEER'S DISCRETION, RACK MAY BE TO SUPPORTED ON SLAB WITH PROPERLY GUSSETED PADS WELDED TO THE BOTTOM OF THE UPRIGHTS AND ANCHORED TO SLAB.



DUPLEX PUMP STATION
ELECTRICAL PANEL, RACK,
AND AWNING DETAIL

SCALE: NONE REVISION DATE: APRIL 13, 2009