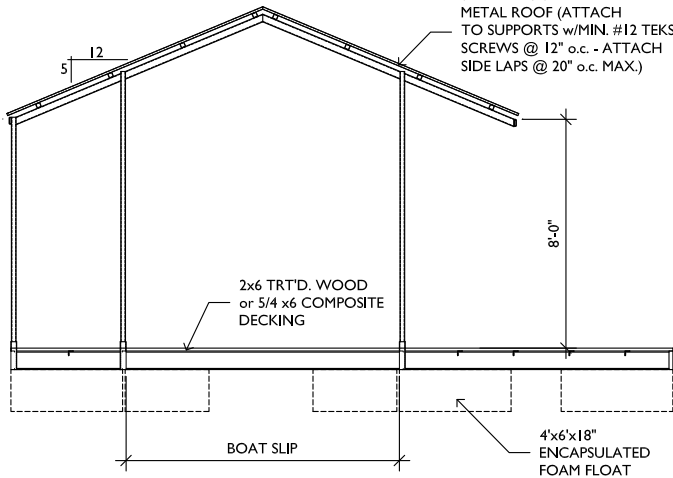
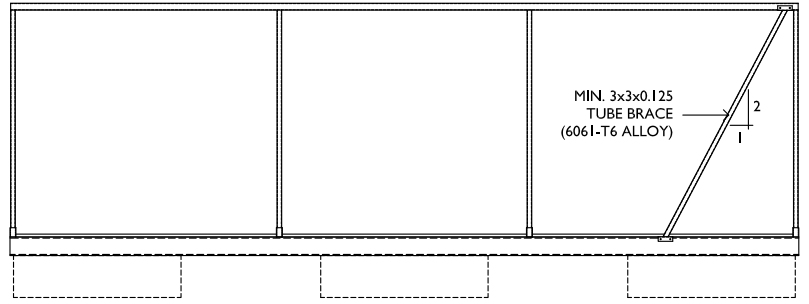


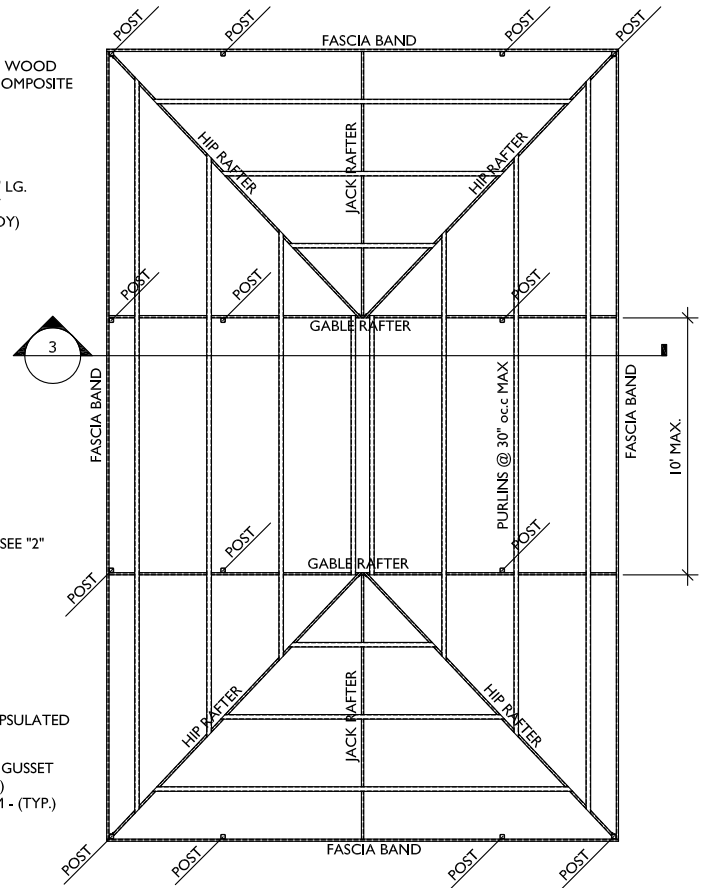
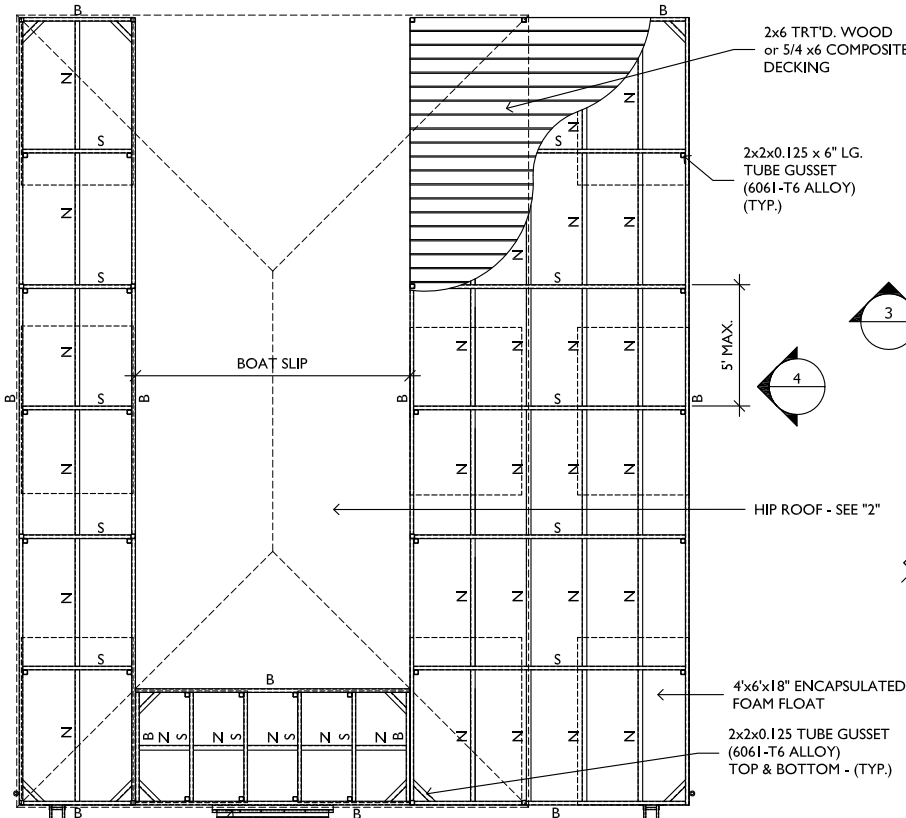
STANDING SEAM METAL ROOF (ATTACH TO SUPPORTS w/MIN. #12 TEK'S SCREWS @ 12" o.c. - ATTACH SIDE LAPS @ 20" o.c. MAX.)



3 Section do not scale



4 Elevation do not scale



ALL POSTS TO BE MIN. 3x3x0.125 TUBE (6061-T6 ALLOY)  
 ALL PURLINS TO BE MIN. 3x3x0.125 TUBE (6061-T6 ALLOY)  
 ALL RAFTERS TO BE MIN. 2x8 EXTRUDED ALUMINUM CHANNEL (6061-T6 ALLOY)  
 ALL FASCIA BANDS TO BE MIN. 2x8 EXTRUDED ALUMINUM CHANNEL (6061-T6 ALLOY)

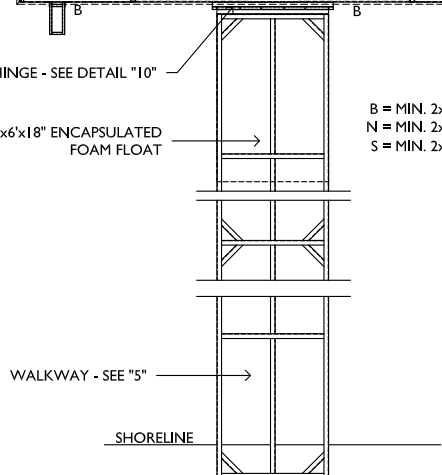
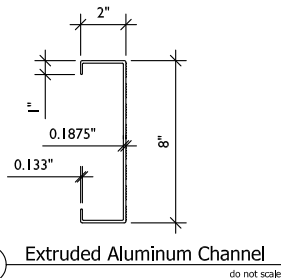
2 Plan - Roof Framing - HIP ROOF do not scale

HINGE - SEE DETAIL "10"

4'x6'x18" ENCAPSULATED FOAM FLOAT

STORM ANCHOR - SEE DETAIL "7" - (2) REQ'D.

B = MIN. 2x8 EXTRUDED ALUMINUM CHANNEL BAND (6061-T6 ALLOY)  
 N = MIN. 2x2x0.125 TUBE NAILER (6061-T6 ALLOY) @ 24" o.c. MAX.  
 S = MIN. 2x8 EXTRUDED ALUMINUM CHANNEL STRINGER (6061-T6 ALLOY)



1 Plan - Dock Platform do not scale

do not scale

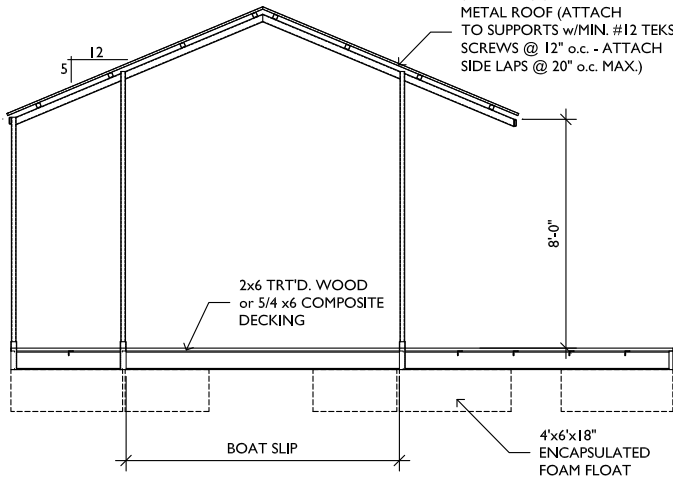


# Dock/Walkway Standards Aluminum Construction

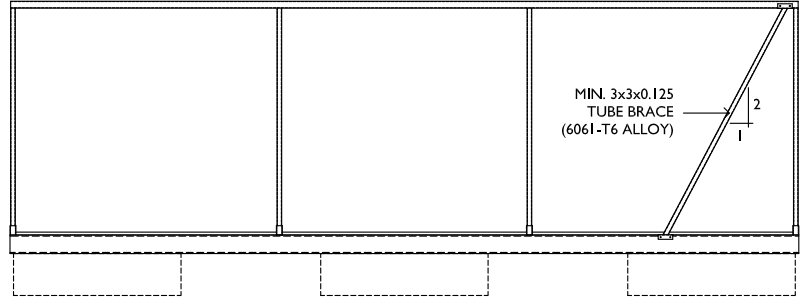
July 8, 2019

THIS DRAWING IS PROPERTY OF SPARTANBURG WATER AND IS NOT TO BE USED OR COPIED BY UNAUTHORIZED PARTIES

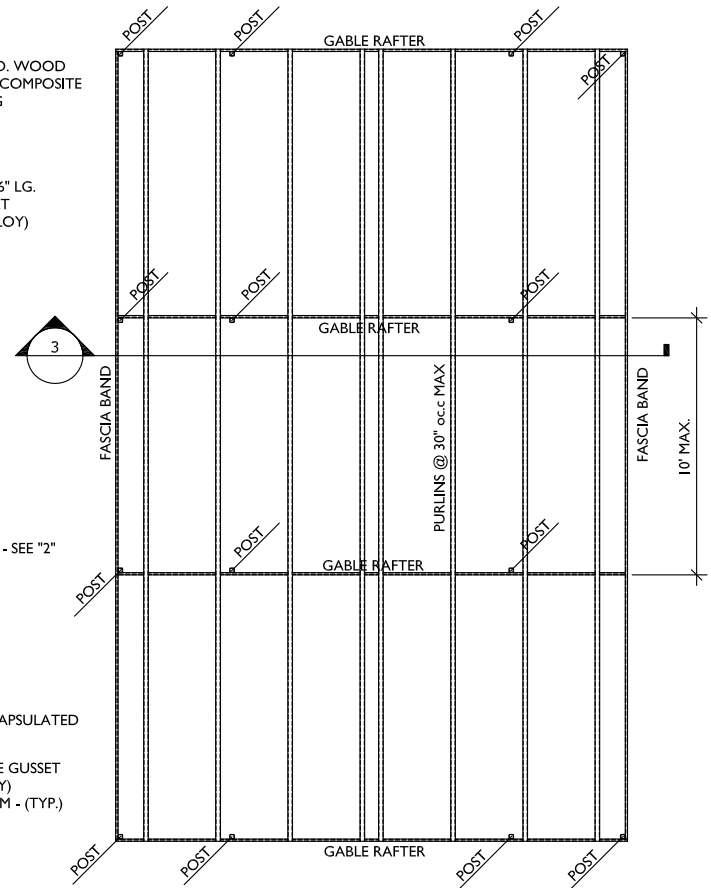
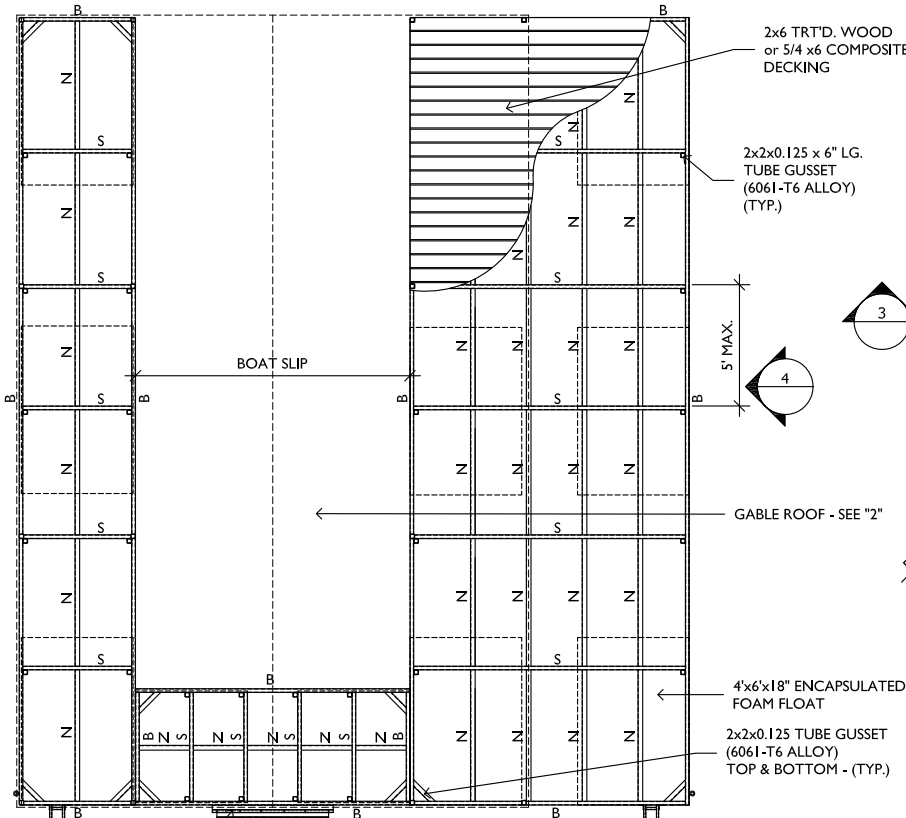
STANDING SEAM METAL ROOF (ATTACH TO SUPPORTS w/MIN. #12 TEK'S SCREWS @ 12" o.c. - ATTACH SIDE LAPS @ 20" o.c. MAX.)



**3** Section do not scale

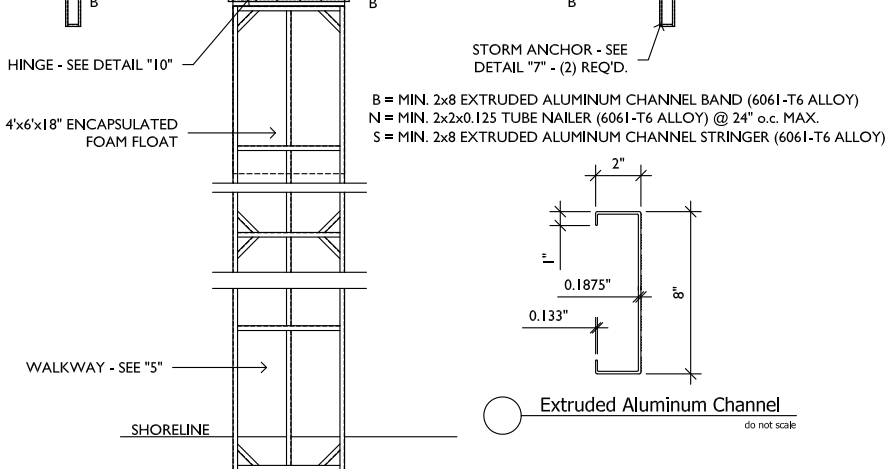


**4** Elevation do not scale



ALL POSTS TO BE MIN. 3x3x0.125 TUBE (6061-T6 ALLOY)  
 ALL PURLINS TO BE MIN. 3x3x0.125 TUBE (6061-T6 ALLOY)  
 ALL RAFTERS TO BE MIN. 2x8 EXTRUDED ALUMINUM CHANNEL (6061-T6 ALLOY)  
 ALL FASCIA BANDS TO BE MIN. 2x8 EXTRUDED ALUMINUM CHANNEL (6061-T6 ALLOY)

**2** Plan - Roof Framing - GABLE ROOF do not scale



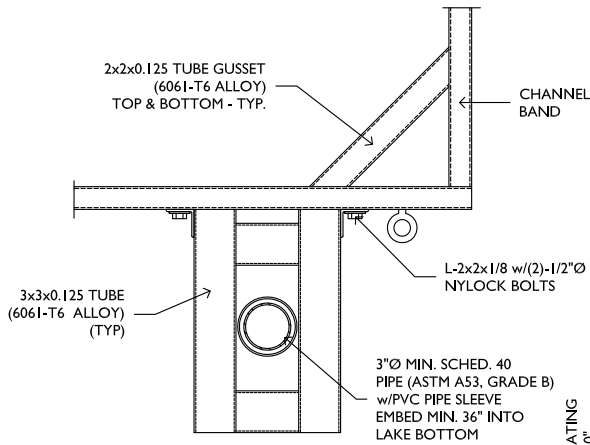
**1** Plan - Dock Platform do not scale

**Spartanburg Water**

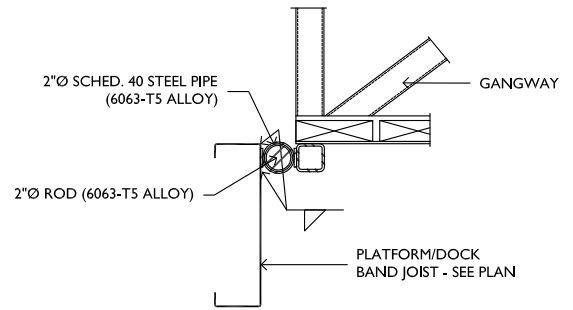
Dock/Walkway Standards  
 Aluminum Construction

July 8, 2019

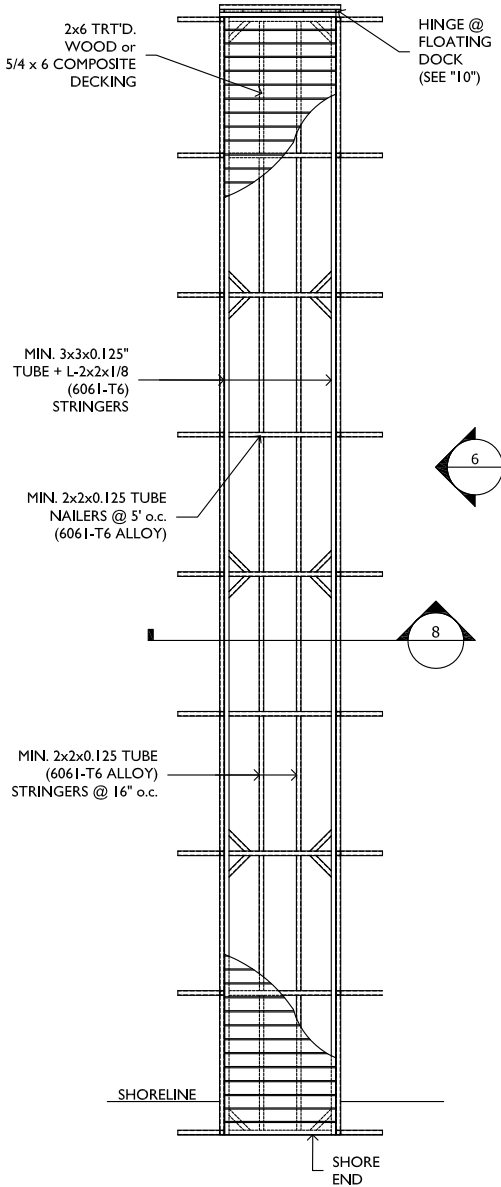
THIS DRAWING IS PROPERTY OF SPARTANBURG WATER AND IS NOT TO BE USED OR COPIED BY UNAUTHORIZED PARTIES



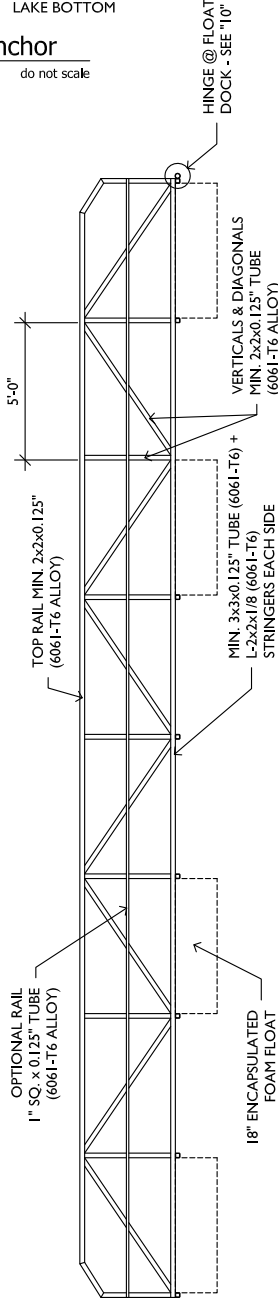
7 Detail - Storm Anchor  
do not scale



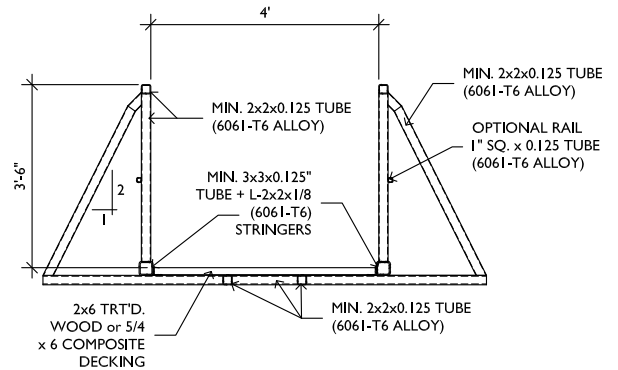
10 Detail - Hinge  
do not scale



5 Plan  
do not scale



6 Elevation  
do not scale



8 Section - Gangway  
do not scale

**STRUCTURAL DESIGN CRITERIA**

**CODES**

ANSI/ASCE 7-10

**DESIGN LOADS:**

**ROOF**

LIVE LOAD = 20 PSF

**GANGWAY**

LIVE LOAD = 40 PSF

**WIND: (PER ANSI/ASCE 7-10)**

BASIC DESIGN WIND SPEED,  $V_{ult}$  = 115 MPH

EXPOSURE CATEGORY B

RISK CATEGORY I

OPEN BUILDING

9 Structural Basis of Design



# Dock/Walkway Standards Aluminum Construction

July 8, 2019

THIS DRAWING IS PROPERTY OF SPARTANBURG WATER AND IS NOT TO BE USED OR COPIED BY UNAUTHORIZED PARTIES