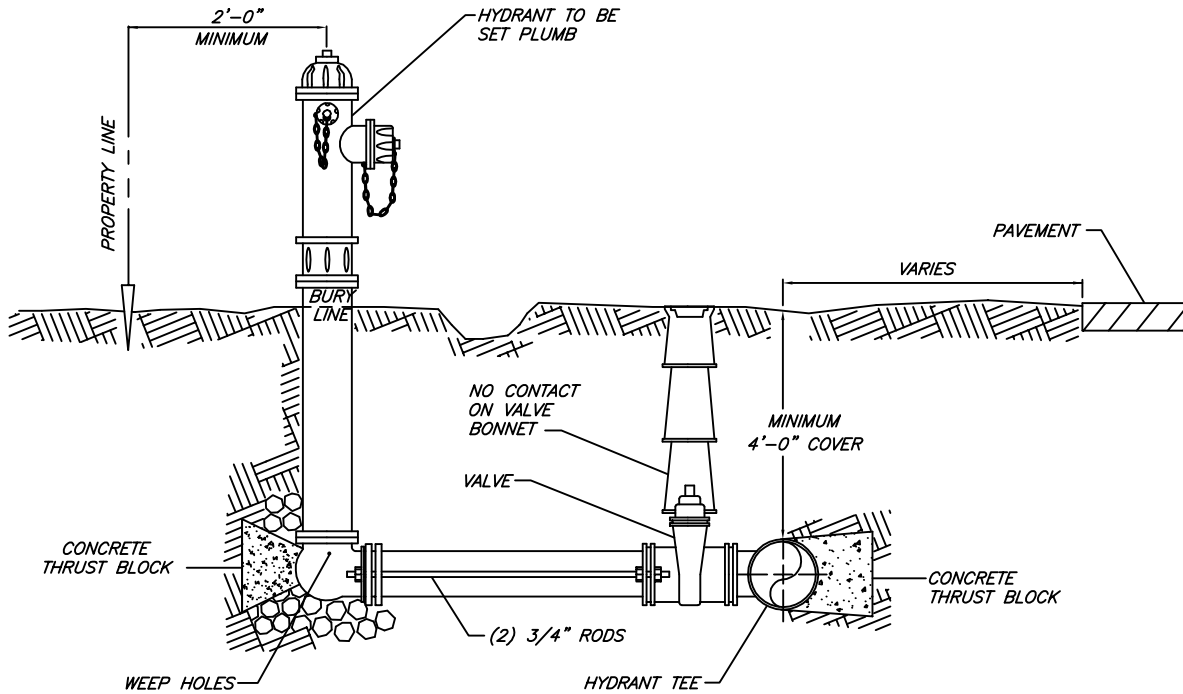
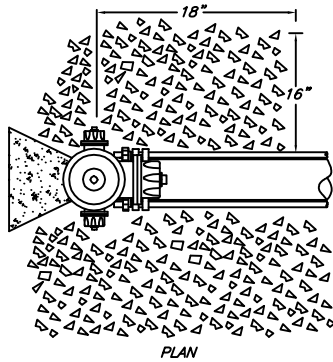


# CONSTRUCTION DETAIL NO. 9



PLACE GRAVEL TO 6" ABOVE WEEP HOLES,  
18" BELOW WEEP HOLES AND 18" TOWARDS  
THE MAIN. ALSO 16" Laterally ON EACH SIDE.



NOTES:

- 1.) RODS TO BE MADE OF STEEL HAVING A TENSILE STRENGTH OF 95,000 P.S.I.
- 2.) AFTER INSTALLATION, ALL STEEL COMPONENTS, INCLUDING RODS, STRAPS, NUTS, BOLTS, COUPLINGS AND CLAMPS SHALL BE COATED WITH 17.5 MILS OF KOPPERS BITUMASTIC 300-M OR EQUAL.
- 3.) MEG-A-LUGS MAY BE USED IN LIEU OF RODS.

## TYPICAL HYDRANT INSTALLATION DETAIL

N.T.S.



## TYPICAL HYDRANT INSTALLATION

SCALE: NONE

REVISION DATE: JULY 6, 2009