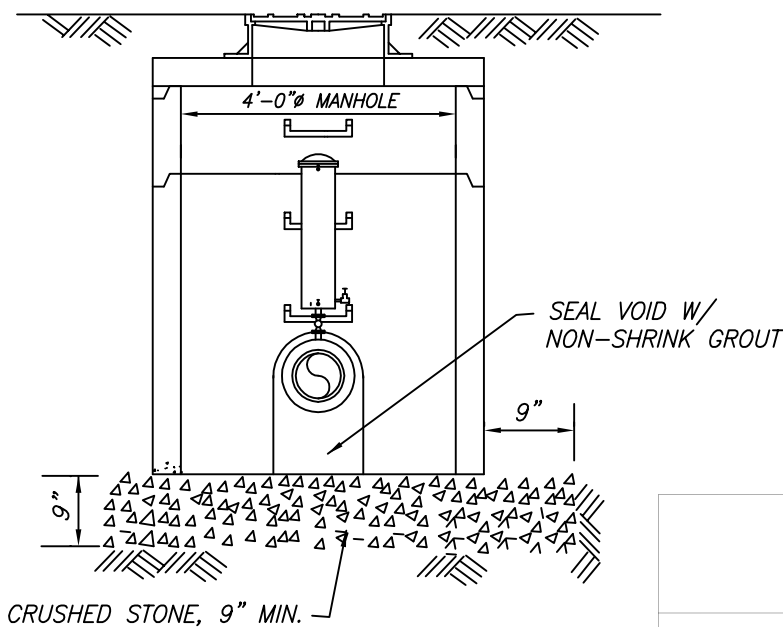
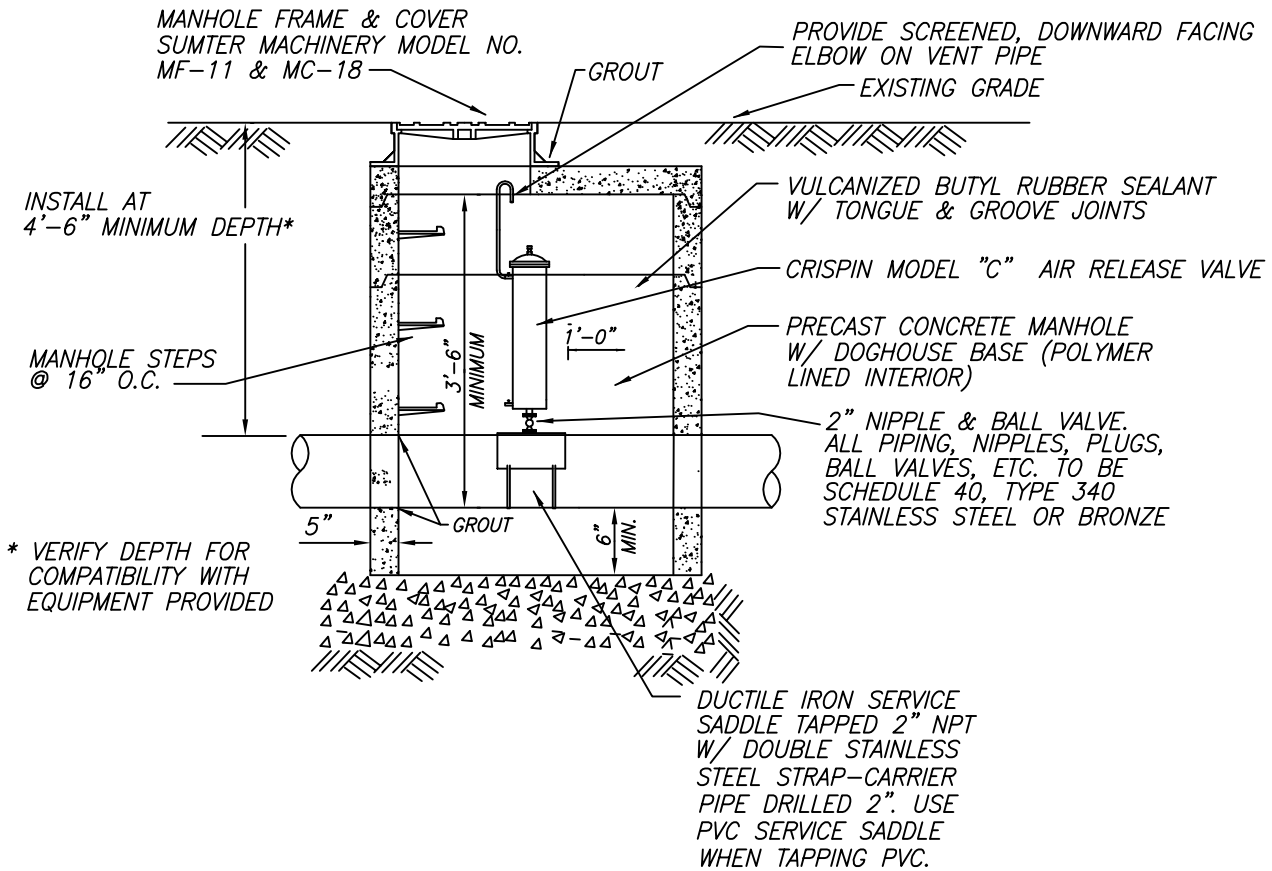


CONSTRUCTION DETAIL NO. 8



WATER MAIN
AIR RELEASE VALVE
AND MANHOLE

SCALE: NONE

REVISION DATE: DEC. 1, 2009