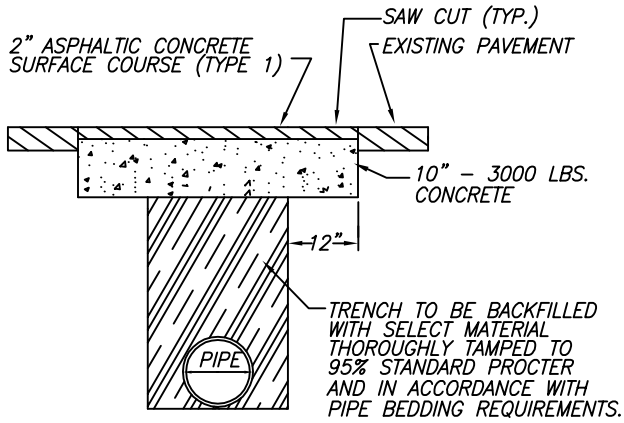
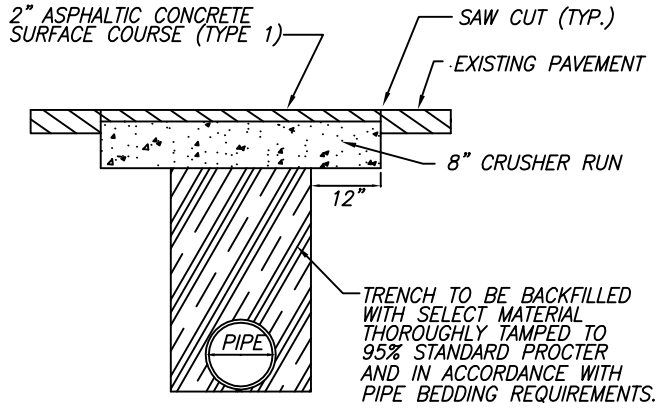


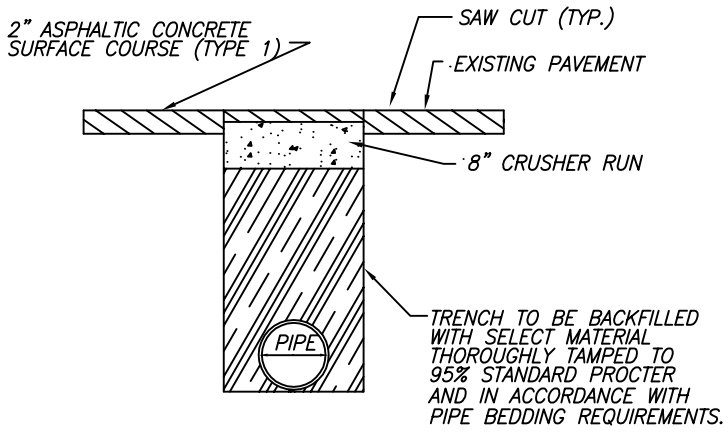
CONSTRUCTION DETAIL NO. 13



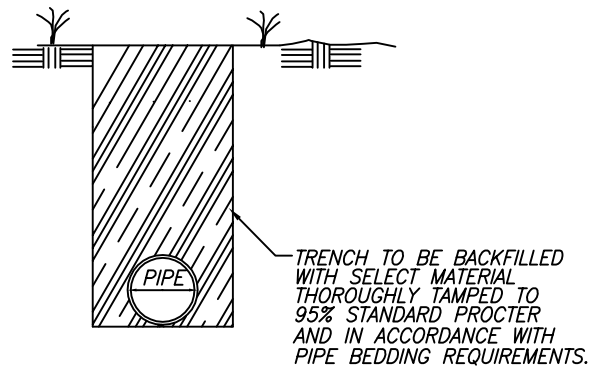
HIGH VOLUME



LOW VOLUME



DRIVEWAYS



TYPICAL TRENCH



TYPICAL PAVEMENT REPAIR DETAILS

SCALE: NONE

REVISION DATE: APRIL 13, 2009