

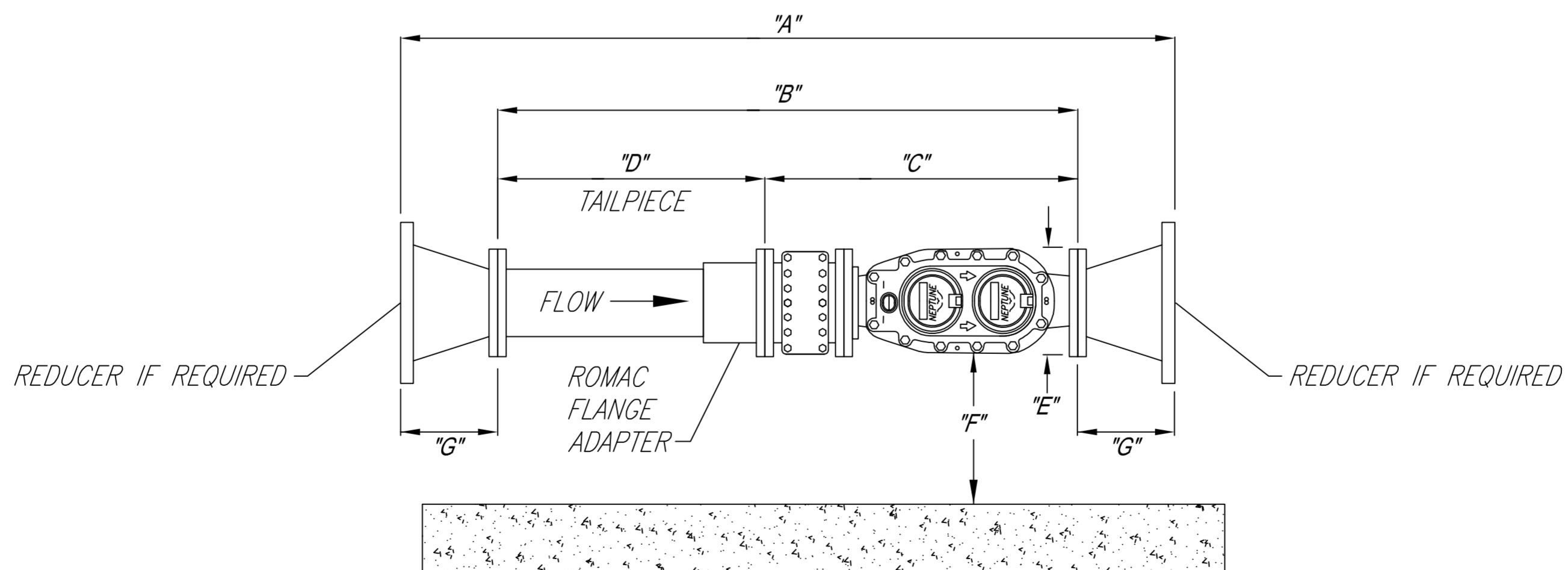
## TABLE 1a: TRU-FLO METER PIPING AND VAULT DIMENSION GUIDELINES

(CONTRACTOR TO PROVIDE METER VAULT AND INSTALL PIPING TO ACCOMODATE METER ASSEMBLY DIMENSIONS SHOWN)

<i>TRU-FLO METER</i>							
METER SIZE CONFIGURATION	DIM. "A" FLG. TO FLG. WITH REDUCERS	DIM. "B" FLG. TO FLG. WITHOUT REDUCERS	DIM. "C" METER & STRAINER	DIM. "D" TAILPIECE	DIM. "E" METER WIDTH (SEE NOTE 7 BELOW)	DIM. "F" DISTANCE TO NEAREST OBSTRUCTION (SEE BELOW)	DIM. "G" LENGTH OF FLG. X FLG. REDUCER (SEE BELOW)
4" LINE x 3" METER (4x3)	51"	NA	23"	12"	9 1/8"	18"	7" (4"x3" Red.)
4" LINE x 4" METER (4x4)	NA	51"	27 1/2"	21 1/2"	9 1/8"	18"	
6" LINE x 4" METER (6x4)	65"	NA	27 1/2"	17 1/2"	12 3/4"	18"	9" (6"x4" Red.)
6" LINE x 6" METER (6x6)	NA	65"	33"	30"	12 3/4"	18"	
8" LINE x 4" METER (8x4)	81"	NA	27 1/2"	29 1/2"	9 1/2"	24"	11" (8"x4" Red.)
8" LINE x 6" METER (8x6)	81"	NA	33"	24"	12 3/4"	24"	11" (8"x4" Red.)
8" LINE x 8" METER (8x8)	NA	NA	NA	NA	NA	NA	
10" LINE x 6" METER (10x6)	91"	NA	33"	32"	12 3/4"	24"	12" (10"x6" Red.)
10" LINE x 8" METER (10x8)	NA	NA	NA	NA	NA	NA	12" (10"x8" Red.)

- NOTE:**
- 1) ALL DIMENSIONS ARE IN INCHES
  - 2) REFER TO METER VAULT DETAIL WHICH IS SPECIFIC TO YOUR APPLICATION FOR ADDITIONAL INFORMATION
  - 3) DIMENSION "A": CONTRACTOR TO SUPPLY METER VAULT WITH THIS DIMENSION BETWEEN FLANGES (WHEN REDUCERS ARE REQUIRED). THIS CLEARANCE WILL ALLOW FUTURE INSTALLATION OF LARGER METER (IF AVAILABLE, UP TO THE SIZE OF THE SUPPLY PIPING IF DESIRED)
  - 4) DIMENSION "B": CONTRACTOR TO SUPPLY METER VAULT WITH THIS DIMENSION BETWEEN FLANGES WHEN REDUCERS ARE NOT REQUIRED AND METER SIZE IS THE SAME AS THE SUPPLY PIPING INTO THE METER VAULT
  - 5) DIMENSION "C" IS FOR METER/STRAINER ASSEMBLY SUPPLIED BY SPARTANBURG WATER
  - 6) DIMENSION "D" INCORPORATES A 2" GAP TO ALLOW FOR GASKET THICKNESS AND TO ALLOW AXIAL MOVEMENT OF THE FLANGE COUPLING ADAPTER DURING ASSEMBLY/DISASSEMBLY
  - 7) DIMENSION "E" IS FOR USE BY THE CONTRACTOR TO DETERMINE THE WIDTH OF THE METER VAULT NECESSARY TO PROVIDE THE REQUIRED CLEARANCE TO OBSTRUCTIONS AS SHOWN BY DIMENSION "F"
  - 8) SPARTANBURG WATER WILL SUPPLY THE FOLLOWING COMPONENTS ONLY:  
THE METER AND STRAINER ASSEMBLY  
THE ROMAC FLANGE COUPLING ADAPTER
  - 9) THE CONTRACTOR SHALL SUPPLY ALL OTHER COMPONENTS NEEDED FOR THE COMPLETE INSTALLATION. REFER TO THE SPECIFIC DETAIL WHICH APPLIES TO YOUR INSTALLATION.
  - 10) 6" IS THE LARGEST TRU-FLO METER SUPPLIED BY SPARTANBURG WATER
  - 11) FOR PROJECTS REQUIRING METERS IN THE 10" AND 12" SIZE, PLEASE CONTACT SPARTANBURG WATER ENGINEERING FOR GUIDANCE

### *TRU-FLO METER*



### METER DIMENSIONAL DATA

NOT TO SCALE



SCALE: NONE

REVISION DATE: MAR. 18, 2010